



The design and specifications are subject to change without prior notice for product improvement. Consult with your dealer or manufacturer for details.

MP7010002-00
20140410



For more information, please visit our website www.midea.com.ph

User's Manual

20L Digital Microwave

Before using your product, please read this manual carefully and keep it for future reference.



PRECAUTIONS TO AVOID POSSIBLE EXPOSURE TO EXCESSIVE MICROWAVE ENERGY

- a. Do not attempt to operate this oven with the door open since this can result in harmful exposure to microwave energy. It is important not to break or tamper the safety locks.
- b. Make sure that no item will be placed between the door and the oven cavity that may prevent the door from being closed.
- c. **WARNING:** If the door or door seals are damaged, the oven must not be operated until it has been repaired by a qualified person.

APPENDUM

If the microwave oven is not maintained properly its lifespan may be affected. Keep the microwave oven always clean.

SPECIFICATIONS

Model:	FP-61MMV020LETH-S
Rated Voltage:	220-230V/60Hz
Rated Input Power(Microwave):	1050W
Rated Output Power(Microwave):	700W
Oven Capacity:	20L
Turntable Diameter:	255 mm
External Dimensions:	439.5mm x 323.6mm x 258mm
Net Weight: Approx.	10.2 kg

IMPORTANT SAFETY INSTRUCTIONS

WARNING

To reduce the risk of fire, electric shock, injury or exposure to excessive microwave oven energy when using your appliance, follow basic precautions, including the following:

1. **Warning:** Liquids and other food must not be heated in sealed containers since they are liable to explode.
2. **Warning:** It is hazardous for anyone other than a qualified person to carry out any service or repair operation that involves the removal of a cover which gives protection against exposure to microwave energy.
3. The appliance is not intended for use by individuals (including children) with reduced physical, sensory or mental capabilities or lack of experience and knowledge unless they are supervised and given instruction by a person responsible for their safety.
4. Keep the appliance and its cord out of reach of children.
5. Only use utensils suitable for microwave ovens.
6. The oven should be cleaned regularly and all leftover food should be removed.
7. Read and follow the specific:
"PRECAUTIONS TO AVOID POSSIBLE EXPOSURE TO EXCESSIVE MICROWAVE ENERGY".
8. When heating food in plastic or paper containers, keep an eye on the oven due to the possibility of ignition.
9. If smoke is emitted, switch off or unplug the appliance and keep the door closed in order to stifle any flames.
10. Do not overcook food.
11. Do not use the oven cavity for storage purposes. Do not store items, such as bread, cookies, etc. inside the oven.
12. Remove wire twist ties and metal handles from paper or plastic containers / bags before placing them in the oven.
13. Install or locate this oven only in accordance with the installation instructions provided.
14. Eggs in the shell and whole hard-boiled eggs should not be heated in microwave ovens since they may explode, even after microwave heating has ended.
15. This appliance is intended to be used in household and similar applications such as:
 - staff kitchen areas in shops, offices and other working environments;
 - in hotels, motels and other residential type environments;
 - farm houses;
 - bed and breakfast type environments.
16. If the supply cord is damaged, it must be replaced by the manufacturer, its service agent or similarly qualified persons in order to avoid hazard.
17. Do not store or use this appliance outdoors.
18. Do not use this oven near water, in a wet basement or near a swimming pool.

-
19. The temperature of accessible surfaces may be high when the appliance is operating. The surfaces are liable to get hot during use. Keep cord away from heated surface, and do not cover any vents on the oven.
 20. Do not let cord hang over edge of table or counter.
 21. Failure to maintain the oven in a clean condition could lead to deterioration of the surface that could adversely affect the life of the appliance and possibly result in a hazardous situation.
 22. The contents of feeding bottles and baby food jars shall be stirred or shaken and the temperature checked before consumption, in order to avoid burns.
 23. Microwave heating of beverages can result in delayed eruptive boiling, therefore care must be taken when handling the container.
 24. Young children should be supervised to ensure that they do not play with the appliance.
 25. This appliance is not intended to be operated by means of an external timer or separate remote-control system.
 26. Accessible parts may become hot during use. Young children should be kept away.
 27. Steam cleaner is not to be used.
 28. During use the appliance becomes hot. Care should be taken to avoid touching heating elements inside the oven.
 29. Only use the temperature probe recommended for this oven (for ovens provided with a facility to use a temperature-sensing probe).
 30. **Warning:** The appliance and its accessible parts become hot during use. Care should be taken to avoid touching heating elements. Children shall be kept away unless continuously supervised.
 31. The microwave oven must be operated with the decorative door open (for ovens with a decorative door).
 32. The rear surface of appliance shall be placed against a wall.
 33. The microwave oven shall not be placed in a cabinet unless it has been tested in a cabinet.
 34. **Warning:** Only allow children to use the oven without supervision when adequate instructions have been given so that the child is able to use the oven in a safe way and understands the hazards of improper use.

REDUCE THE RISK OF INJURY TO PERSONS

DANGER

Electric Shock Hazard

Touching some of the internal components can cause serious personal injury or death. Do not dismantle this appliance.

WARNING

1. A short power supply cord is provided to reduce risks of tripping over a long cord.
2. If a long cord set or extension cord is used:
 - a. The marked electrical rating of the cord set or extension cord should be at least as great as the electrical rating of the appliance.
 - b. The long cord should be arranged so that it will not drape over the counter top or tabletop where it can be pulled by children or tripped over unintentionally.

CLEANING

Be sure to unplug the appliance from the power supply.

1. After using the microwave oven, always clean the cavity with a slightly damp cloth.
2. Clean accessories using water and soap.
3. Door frame, seal and other parts must be carefully cleaned using damp cloth.
4. Do not use harsh abrasive cleaners or sharp metal scrapers to clean the oven door glass to avoid scratching the surface which may result in shattering of the glass.
5. Cleaning tip for easier cleaning of the cavity walls:
 - Place half a lemon in a bowl with water (300 ml or 1/2 pint).
 - Heat on 100% microwave power for 10 minutes.
 - Wipe the oven using soft, dry cloth.

UTENSILS

CAUTION

Personal Injury Hazard

It is hazardous for individuals other than a qualified person to carry out any service or repair operation that involves the removal of the cover which gives protection against exposure to microwave energy.

There may be certain non-metallic utensils that are not safe to use for microwaving. If in doubt, you can test the utensil in question following the procedure below.

UTENSIL TEST:

1. Fill a microwave-safe container with 1 cup of cold water (250ml) along with the utensil in question.
2. Cook on maximum power for 1 minute.
3. Carefully feel the utensil. If the utensil is warm, do not use it for microwave cooking.
4. Do not exceed 1 minute cooking time.

MATERIALS YOU CAN USE IN MICROWAVE OVEN:

Utensils	Remarks
Aluminum Foil	Shielding only. Small smooth pieces can be used to cover thin parts of meat or poultry to prevent overcooking. Arcing can occur if foil is too close to oven walls. The foil should be at least 1 inch (2.5cm) away from oven walls.
Browning Dish	Follow manufacturer's instructions. The bottom of browning dish must be at least 3/16 inch (5mm) above the turntable. Incorrect usage may cause the turntable to break.
Dinnerware	Microwave-safe only. Follow manufacturer's instructions. Do not use cracked or chipped dishes.
Glass Jars	Always remove lid. Use only to heat food until just warm. Most glass jars are not heat resistant and may break.
Glassware	Heat-resistant oven glassware only. Make sure there is no metallic trim. Do not use cracked or chipped dishes
Oven Cooking Bags	Follow manufacturer's instructions. Do not close with metal tie. Make slits to allow steam to escape.
Paper Plates and Cups	Use for short-term cooking/warming only. Do not leave oven unattended while cooking.
Paper Towels	Use to cover food for reheating and absorbing fat. Use with supervision for a short-term cooking only.
Parchment Paper	Use as a cover to prevent splattering or use as a wrap for steaming
Plastic	Microwave-safe only. Follow the manufacturer's instructions. Should be labeled "Microwave Safe". Some plastic containers soften as the food inside gets hot. "Boiling bags" and tightly closed plastic bags should be slit, pierced or vented as directed by package.
Plastic Wrap	Microwave-safe only. Use to cover food during cooking to retain moisture. Do not allow plastic wrap to touch food.
Thermometers	Microwave-safe only (meat and candy thermometers).
Wax Paper	Use as a cover to prevent splattering and to retain moisture.

MATERIALS TO BE AVOIDED IN MICROWAVE OVEN:

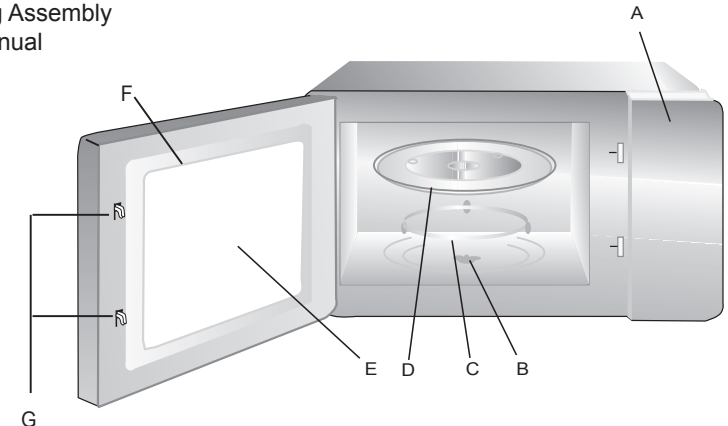
Utensils	Remarks
Aluminum Tray	May cause arcing. Transfer food into microwave-safe dish.
Food Carton w/ Metal Handle	May cause arcing. Transfer food into microwave-safe dish.
Metal or Metal - Trimmed Utensils	Metal shields the food from microwave energy. Metal trim may cause arcing.
Metal Twist Ties	May cause arcing and could cause a fire in the oven.
Paper Bags	May cause a fire in the oven.
Plastic Foam	Plastic foam may melt or contaminate the liquid inside when exposed to high temperature.
Wood	Wood will dry out when used in the microwave oven and may split or crack.

SETTING UP YOUR MICROWAVE

OVEN PARTS AND ACCESORIES

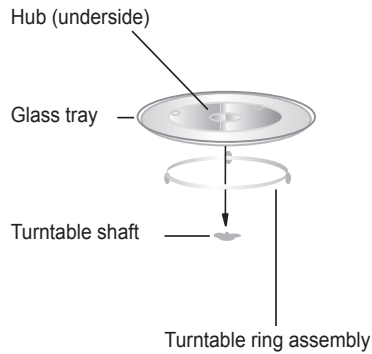
Remove the oven and all materials from the carton and oven cavity. Your oven comes with the following accessories:

- 1 Glass Tray
- 1 Turntable Ring Assembly
- 1 Instruction Manual



- A) Control Panel
- B) Turntable Shaft
- C) Turntable Ring Assembly
- D) Glass Tray
- E) Observation Window
- F) Door Assembly
- G) Safety Interlock System

TURNTABLE INSTALLATION



Installation

- Never place the glass tray upside down. The glass tray should never be restricted.
- Both glass tray and turntable ring assembly must always be used during cooking.
- All food and containers of food are always placed on the glass tray for cooking.
- If glass tray or turntable ring assembly cracks or breaks, contact your nearest authorized service center.

COUNTERTOP INSTALLATION

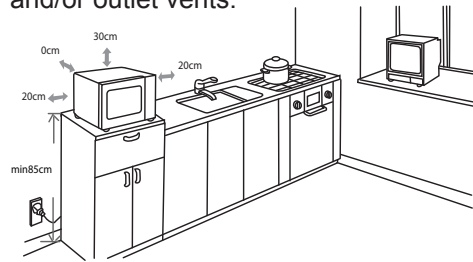
Remove all packing material and accessories. Examine the oven for any damage such as dents or broken door. Do not install if oven is damaged.

Cabinet: Remove any protective film found on the microwave oven cabinet surface.

Do not remove the light brown Mica cover that is attached to the oven cavity to protect the magnetron.

INSTALLATION

- Select a level surface that provides enough open space for the intake and/or outlet vents.



- Blocking the intake and/or outlet openings can damage the oven.
 - Place the oven as far away from radios and TV as possible. Operation of microwave oven may cause interference to your radio or TV reception.
- Plug your oven into a standard household outlet. Be sure that the voltage and the frequency is the same as the voltage and the frequency on the rating label.

WARNING: Do not install oven over a range cooktop or other heat-producing appliance. If installed near or over a heat source, the oven could be damaged and the warranty would be void.

- The minimum installation height is 85cm.
- The rear surface of appliance shall be placed against a wall. Leave a minimum clearance of 30cm above the oven, a minimum clearance of 20cm is required between the oven and any adjacent walls.
- Do not remove the legs from the bottom of the oven.

OPERATION INSTRUCTION

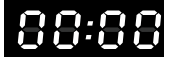
1. Power Level

11 power levels are available.

Level	10	9	8	7	6	5	4	3	2	1	0
Power	100%	90%	80%	70%	60%	50%	40%	30%	20%	10%	0%
Display	PL10	PL9	PL8	PL7	PL6	PL5	PL4	PL3	PL2	PL1	PL0

2. Clock Setting

- Press "**CLOCK**," the "00:00" will display.
- Press the number keys and enter the current time. For example time is 12:10 please press "1,2,1,0" in turn.
- Press "**CLOCK**" to finish clock setting. ":" will flash and the clock will lit.
- If the numbers entered are not within the range of 1:00 to 12:59, the setting will be invalid until valid numbers are entered.

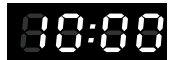
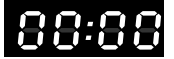


Note:

- In the process of clock setting, if the "**STOP/CANCEL**" button is pressed or if there is no operation within 1 minute, the oven will go back to the former setting automatically.
- If the clock need to be reset, please repeat step 1 to step 3.

3. Kitchen Timer

- Press "**KITCHEN TIMER**," LED will display 00:00, the first hour figure flash.
- Press the number keys and enter the cooking time (the maximum cooking time is 99 minutes and 99 seconds).
- Press "**START/+30SEC.**" to confirm setting.
- When the cooking time is finished, the buzzer will buzz 5 times. If the clock has been set (12-hour system), LED will display the current time.



Note:

- Kitchen Timer is a timer, and differs from the 12 hour system.
- During kitchen timer, no other programs can be set. Press "**STOP/CANCEL**" twice to cancel the kitchen timer function.

3. Microwave Cooking

- Press "**TIME COOK**" once, LED will display "00:00".
- Press number keys to enter the cooking time; the maximum cooking time is 99 minutes and 99 seconds.
- Press "**POWER**" once LED will display "PL10". The default power is 100% power. Press the number keys to adjust the power level.
- Press "**Start/+3SEC.**" to start cooking.



Example: to cook food with 50% microwave power for 15 minutes

- Press **"TIME COOK"** once. "00:00" displays
- Press **"1"**, **"5"**, **"0"**, **"0"** in order.
- Press **"POWER"** once, then press **"5"** to select 50% microwave power.
- Press **"START/+30SEC."** to start cooking.



NOTE:

- In the process of setting, if the **"STOP/CANCEL"** button is pressed or if there is no operation within 1 minute, the oven will go back to the former setting automatically.
- If **"PLO"** is selected, the oven will work with the fan but no power.
- During microwave cooking, **"POWER"** can be pressed to change the power level required. After pressing **"POWER"**, the current power level will flash for 3 sec., now you can press the number button to change the power level. The oven will not work with the selected power for the rest of the time.

5. SPEEDY COOKING

- a. In waiting state, instant cooking at 100% power level can be started by selecting a cookinG time from 1 to 6 minutes by pressing number keys 1 to 6. press **"START/+30SEC."** to increase the cooking time; the maximum cooking time is 99 minutes and 99 seconds.
- b. In waiting state, instant cooking at 100% power level with 30 seconds cooking time can be started by pressing **"START/+30SEC."** Each press on the same button will increase cooking time by 30 seconds. The maximum cooking time is 99 minutes and 99 seconds.

NOTE:

During microwave cooking and time defrost, time can be added by pressing **"START/+30SEC."** button.

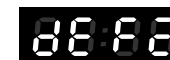
6. WEIGHT DEFROST FUNCTION

- a. Press **"WEIGHT DEFROST"**, LED will display **"dEF1"**
- b. Press numerical buttons to enter weight to be defrosted.
Enter the weight range between 100 to 2000g.
- c. If the weight entered is not within 100 to 2000g, the entry will be invalid.
- d. Press **"START/+30SEC."** to start defrosting and the cooking time remaining will be displayed.



7. TIME DEFROST FUNCTION

- a. Press **"TIME DEFROST"**, the LED will display **"dEF2"**.
- b. Press number pads to enter defrosting time. The effective time range is 00:01 to 99:99.
- c. The default microwave power is level 3. If you want to change the power level, press **"POWER"** once and the LED will display **"PL3"**, then press the number pad of the power level required.
- d. Press **"START?+30SEC."** to start defrosting. The remaining cooking time will be displayed.



8. POPCORN

- a. Press **"POPCORN"** repeatedly until the number you require appears in the display **"50"**, **"100"**g will display in order.
For example, press **"POPCORN"** once **"50"** appears.
- b. Press **"START/+30SEC."** to cook, buzzer sounds once. When cooking is finished, the buzzer sounds five times and then returns to waiting state.

9. POTATO

- a. Press **"POTATO"** repeatedly until the number you require appears in the display **"1"**, **"2"**, **"3"** will display in order.
"1"SET : 1 potato (approximate 230 grams)
"2"SETS : 2 potatoes (approximate 460 grams)
"3"SETS : 3 potatoes (approximate 690 grams)
For example, press **"POTATO"** once, **"1"** appears
- b. Press **"START/+30SEC."** to cook, buzzer sounds once. When cooking is finished, the buzzer sounds five times and then returns to waiting state.

10. FROZEN VEGETABLE

- a. Press **"FROZEN VEGETABLE"** repeatedly until the number you require appears in the display **"150"**, **"350"**, **"500"** will display in order.
For example, press **"FROZEN VEGETABLE"** once, **"150"** appears.
- b. Press **"START/+30SEC."** to cook, buzzer sounds once. When cooking is finished, the buzzer sounds five times and then returns to waiting state.

11. BEVERAGE

- a. Press **"BEVERAGE"** repeatedly until the number you require appears in the display **"1"**, **"2"**, **"3"** cup will display in order. One cup is about 120ml
For example, press **"BEVERAGE"** once, **"1"** appears.
- b. Press **"START/+30SEC."** to cook, buzzer sounds once. When cooking is finished, the buzzer sounds five times and then returns to waiting state.

12. DINNER PLATE

- a. Press **"DINNER PLATE"** repeatedly until the number you require appears in the display **"250"**, **"350"**, **"500"** g will display in order.
For example, press **"DINNER PLATE"** once, **"250"** appears.
- b. Press **"START/+30SEC."** to cook, buzzer sounds once. When cooking is finished, the buzzer sounds five times and then returns to waiting state.

13. PIZZA

- a. Press **"PIZZA"** repeatedly until the number you require appears in the display **"100"**, **"200"**, **"400"** g will display in order.
For example, press **"PIZZA"** once, **"100"** appears.
- b. Press **"START/+30SEC."** to cook, buzzer sounds once. When cooking is finished, the buzzer sounds five times and then returns to waiting state.

14. MEMORY FUNCTION

- a. Press **"0/MEMORY"** to choose memory 1-3 procedure. The LED will display 1,2,3.
- b. If the procedure has been set, press **"START/+30SEC."** to use it. If not, continue to set the procedure. Only one or two stages can be set.
- c. After finishing the setting, press **"START/+30SEC."** once to save the procedure and returns to the waiting state. If press **"START/ +30SEC."** again, it will start cooking.

Example:

- to set the following procedure as the second memory, that is memory 2.
- to cook the food with 80% microwave power for 3 minutes and 20 seconds.

The steps are as follows:

- a. In waiting states, press **"0/MEMORY"** twice, stop pressing until the screen displays **"2"**.
- b. Press **"TIME COOK"** once, then press **"3"**, **"2"**, **"0"** in order.
- c. Press **"POWER"** once, **"PL10"** display, then press **"8"** and **"PL8"** displays.
- d. Press **"START/+30SEC."** to save the setting. Buzzer sounds once then turn to waiting states. If you press **"START/+30SEC."** again, the procedure will be saved as the memory 2 and operated.
- e. If the electricity is not cut off, the procedure will be saved all the time. If it is, the procedure need to reset.
- f. If you want to run the saved procedure, in waiting states, press **"0/MEMORY"** twice, screen displays **"2"**, then press **"START/+30SEC."** to run.

15. MULTI-STAGE COOKING

2 stages can be set for cooking. In multi-stage cooking, if one of the stages selected is defrosting, then defrosting shall run first.

Note:

The Auto Cooking option can not be used in conjunction with Multi-Stage cooking.


Example: if you want to cook with 80% microwave power for 5 minutes + 60% microwave power for 10 minutes. The cooking steps are as following:

- a. Press **"TIME COOK"** once, then press **"5"**, **"0"**, **"0"** to set the cooking time;
- b. Press **"POWER"** once, then press **"8"** to select 80% microwave power.
- c. Press **"TIME COOK"** once, then press **"1"**, **"0"**, **"0"**, **"0"** to set the cooking time;
- d. Press **"POWER"** once, then press **"6"** to select 60% microwave power.
- e. Press **"START/+30SEC."** to start cooking.

16. INQUIRY FUNCTION

- a. In cooking state, press **"CLOCK"**, the LED will display clock for 3 seconds.
- b. In the microwave cooking state, press **"POWER"** to inquire on the microwave power level, and the current microwave power will be displayed. After 3 seconds, the oven will return to the previous state.
- c. Use this same method to inquire during multi stage cooking.

17. LOCK FUNCTION FOR CHILDREN

Lock: In waiting state, press **"STOP/CANCEL"** for 3 seconds, there will be a long "beep" denoting the entering into the children-lock state; meanwhile, LED will display "

Unlocking: In locked state, press **"STOP/CANCEL"** for 3 seconds, there will be a long "beep" denoting that lock is released.

18. COOKING COMPLETION

When the cooking is over, the buzzer will beep 5 times to alert the user that cooking is finished.

19. OTHER SPECIFICATIONS

- a. In standby state, if the clock is set, it will display the current time. If no time has been set, it will show **"0:00"**
- b. In setting function state, LED displays corresponding setting.
- c. In working or pause state, LED displays surplus cooking time.

TROUBLESHOOTING

Normal	
Microwave oven interfering TV reception	Radio and TV reception may be interfered when microwave oven is operating. It is similar to the interference of small electrical appliances like mixer, vacuum cleaner and electric fan. It is normal.
Dim oven light	In low power microwave cooking, oven light may become dim. It is normal.
Steam accumulating on door, hot air out of vents	In cooking, steam may come out of food. Most will get out from vents. But some may accumulate on cool place like oven door. It is normal.
Oven started accidentally with no food in	It is forbidden to run the unit without any food inside. It is very dangerous.

Trouble	Possible Cause	Remedy
Oven can not be started	(1) Power cord is not plugged properly	Unplug then plug again after 10 seconds
	(2) Fuse blowing or circuit breaker works	Replace fuse or reset circuit breaker (repaired by professional personnel)
	(3) Trouble with outlet	Test outlet with other electrical appliances
Oven does not heat	(4) Door not closed properly	Close door properly
Glass turntable makes noise when microwave oven operates	(5) Dirty roller rest and oven bottom	Refer to "Maintenance of Microwave" to clean dirty parts



The Oven should be separately collected and treated. If at any time in future you need to dispose of this product please do NOT dispose of this product with household waste.